

# AC Series Tubeaxial Cooling Fans Model No. A31T15

3.15" Sq. x 1.50"  
(80 mm Sq. x 38 mm)  
18-32 CFM  
(8.4-15.1 L/Sec.)



### Features

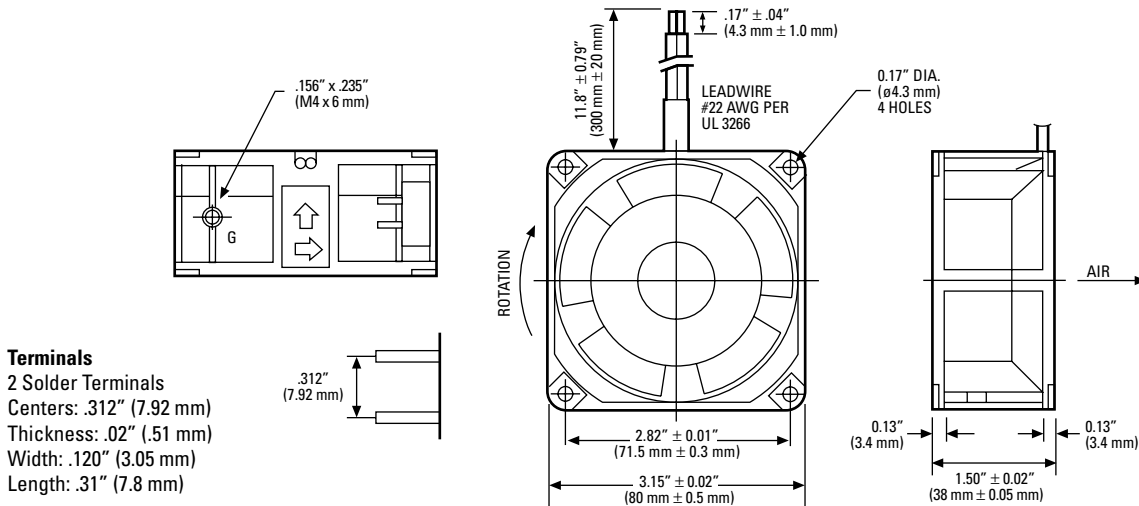
- Reliable shaded-pole motor construction
- Precision ball bearing system provides:
  - Longer life
  - Higher temperature extremes
  - Lower noise over time
  - Maximum shock and vibration resistance
- Rugged die-cast aluminum housing for maximum heat dissipation

### Accessories:

- Finger guards
- Power cords
- Filters
- Screen guards

### General Specifications

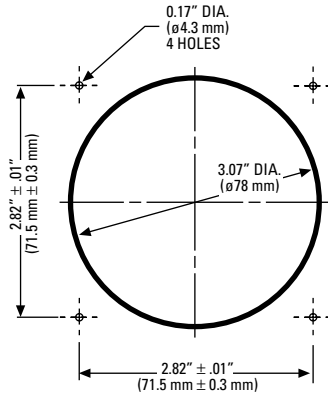
- Frame:** Die-cast aluminum painted black for moisture and corrosion resistance
- Impeller:** Reinforced polybutylene plastic (UL94V-0 rating)
- Bearings:** Precision, life-lubricated ball bearings
- Insulation:** Class A integral ground system rated @ 248°F (120°C)
- Weight:** 10.6 ozs. (300 grams)
- Operating Temperature Range:** 14° to 158°F (-10° to 70°C)
- Insulation Resistance:** 100 megohms minimum @ 500 VDC
- Dielectric Strength:** 1500 VAC for 3 seconds
- Safety Protection:** Impedance protected
- Life Expectancy:** 50,000 hours minimum @ 77°F (25°C)



**Terminals**  
2 Solder Terminals  
Centers: .312" (7.92 mm)  
Thickness: .02" (.51 mm)  
Width: .120" (3.05 mm)  
Length: .31" (7.8 mm)

Globe Motors Part Number	Nominal Voltage VAC	Frequency Hz	Watts	Line Amps	RPM	Acoustic Noise dBA	Airflow (Min.)	
							CFM	Liters per Second
A31-B15A-15T1-000	115	50 / 60	4.5 / 4.0	0.060 / 0.055	1700 / 1900	23 / 25	18 / 19	8.4 / 8.9
A31-B15A-15T2-000	115	50 / 60	5.0 / 4.5	0.080 / 0.070	2100 / 2300	29 / 32	21 / 24	9.9 / 11.3
A31-B15A-15T3-000	115	50 / 60	9.0 / 7.0	0.140 / 0.110	2700 / 3200	33 / 38	27 / 32	12.7 / 15.1
A31-B15A-15W1-000	115	50 / 60	4.5 / 4.0	0.060 / 0.055	1700 / 1900	23 / 25	18 / 19	8.4 / 8.9
A31-B15A-15W2-000	115	50 / 60	5.0 / 4.5	0.080 / 0.070	2100 / 2300	29 / 32	21 / 24	9.9 / 11.3
A31-B15A-15W3-000	115	50 / 60	9.0 / 7.0	0.140 / 0.110	2700 / 3200	33 / 38	27 / 32	12.7 / 15.1
A31-B15A-23W1-000	230	50 / 60	6.0 / 5.0	0.055 / 0.050	1800 / 2100	23 / 26	18 / 22	8.4 / 10.4
A31-B15A-23W2-000	230	50 / 60	7.0 / 6.0	0.050 / 0.045	2200 / 2500	30 / 34	22 / 26	10.4 / 12.3
A31-B15A-23W3-000	230	50 / 60	10.0 / 8.0	0.070 / 0.055	2700 / 3200	33 / 38	27 / 32	12.7 / 15.1

## Installation Guide



## Approvals



UL File No.  
E105397

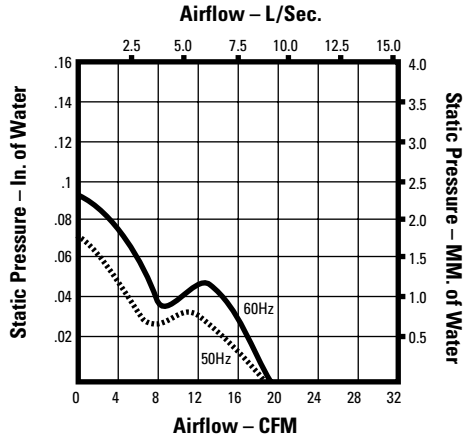


CSA File No.  
72877

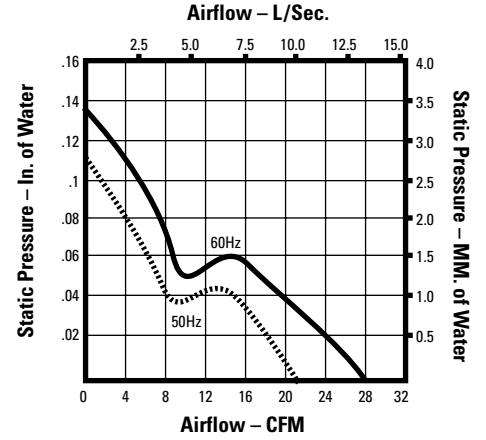


## NOTES:

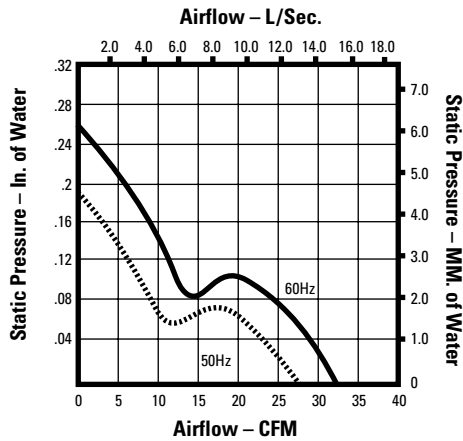
## Performance at Sea Level



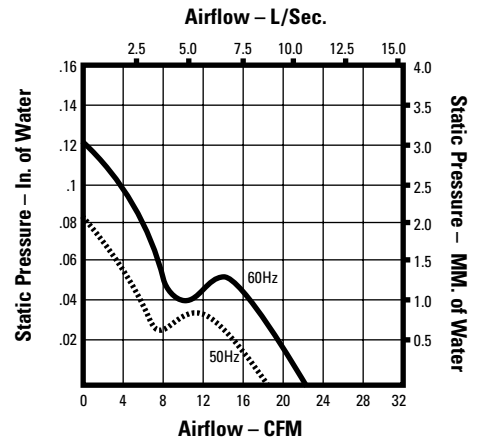
**A31-B15A-15T1-000**  
**A31-B15A-15W1-000**



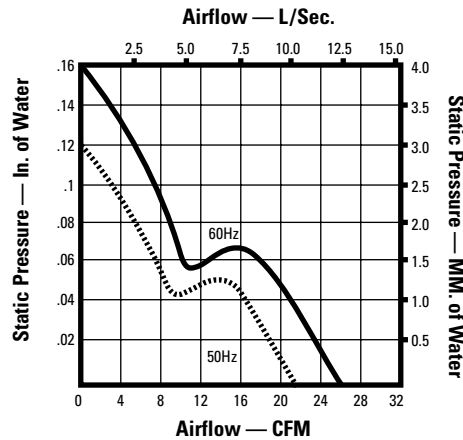
**A31-B15A-15T2-000**  
**A31-B15A-15W2-000**



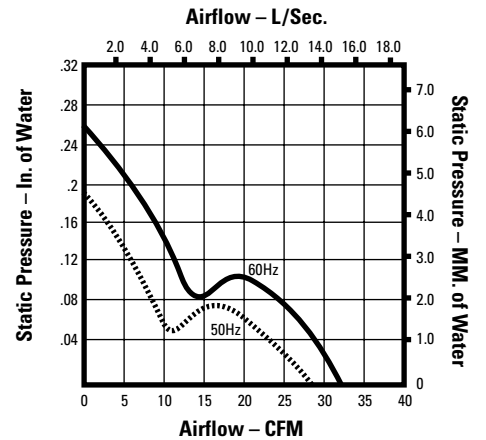
**A31-B15A-15T3-000**  
**A31-B15A-15W3-000**



**A31-B15A-23W1-000**



**A31-B15A-23W2-000**



**A31-B15A-23W3-000**

All operating specifications measured at nominal operating voltage, free air at sea level